

IP20

IK02



KEY FEATURES

- High quality spot made of aluminium
- Ideal for mood or accent lighting
- Powder coating finish
- Fast installation with GU10 fitting (included)
- Excluding LED lamp, select your preferred lamp
- GU10 fitting on 230V
- Diameter: 82mm
- Installation depth: 70mm
- 40 degrees tiltable

APPLICATIONS



Office



Residential



Restaurant



Retail

OPTIONS



TECHNICAL DATA

Electrical data	
Voltage (V)	220-240
Frequency (Hz)	50/60
Max. Power (W)	50
Operating mode	GU10 fitting included
Electrical connection	2x 0.75 mm ² wire

Colors & materials

Color (Housing)	Aluminum, White, Black, Nickel
Material (Housing)	Aluminum

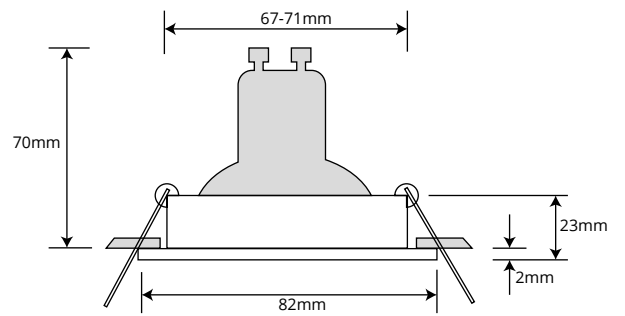
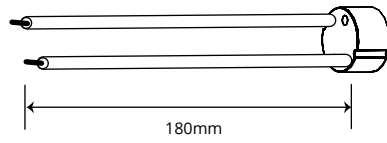
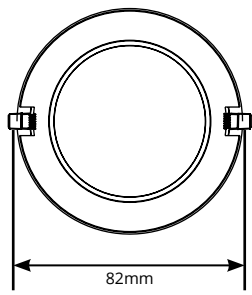
Certificates & standards

Fixture certificates	CE
Ingress protection	IP20
Protection class IK	02

Capabilities

Type of connection	GU10 with 18cm cable
Installation	40° Tilttable

DIMENSIONS



APPLICATIONS



CE

